

[FREP]

Fibre Reinforced Engineering Polymer

THE OUTDOOR JOIST HANGER



- ✓ Corrosion proof
- ✓ Strong - engineered to last
- ✓ No sharp edges
- ✓ Paintable
- ✓ Easier to use than conventional joist hangers
- ✓ Vibration resistant nail holes
- ✓ 15 year warranty
- ✓ Ventilation ridges for joist breathability
- ✓ Meets Australian standards for decking/flooring
- ✓ Patented design

KLEVAKLIP™
BUILDING SYSTEMS

Installation

NJH9045 FREP Joist Hangers

Important: Use only 35mm long x 3.15 diameter galvanised connector nails or stainless steel equivalents. When fixing the **FREP** Joist Hangers to bearers there should be four nails in each "wing" of the Joist Hanger (total 8) and three nails per side of each joist at each Joist Hanger (total 6). *Nail guns are not to be used on **FREP** Joist Hangers.*

Load Bearing

All load bearing tests have been done by an independent, accredited testing body to Australian Standards AS1170.0 and AS1170.1 Ultimate State Design Capacity – 2.4 kN

Span requirements

Note: Span table should be read in conjunction with timber span and joint tables to ensure the size and grade of joist you use is adequate for the proposed span.

Maximum Floor Area (m²).

Timber Joint Group	NJH9045	
	Floor	Deck/Balcony
JD5 (equivalent to MGP10)	0.8	0.6

Notes

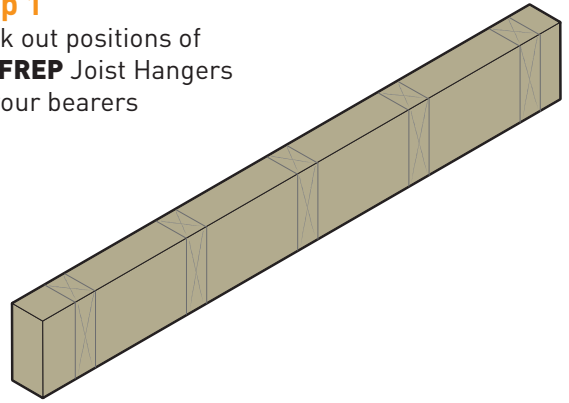
1. Maximum Floor Area = 0.5 x (Joist Span x Joist Spacing).
2. Maximum Floor Areas are based on Floor Dead Load of 0.5 kPa + Floor Live Load of 1.5 kPa for domestic floor or 2.0kPa for decks/ balconies more than one metre above ground.

Important

- ✓ Primarily designed to suit 90 X 45mm timber joists.
- ✓ Do not use in a cantilever situation.
- ✓ Not recommended for bush fire zones.
- ✓ **FREP** Joist Hanger softening point 180 °C and melting point is 220 °C.
- ✓ Do not use Nail guns on **FREP** Joist Hangers.

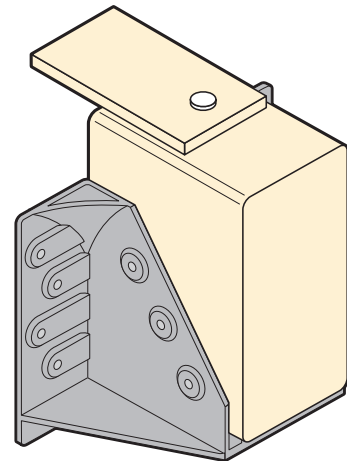
Step 1

Mark out positions of the **FREP** Joist Hangers on your bearers



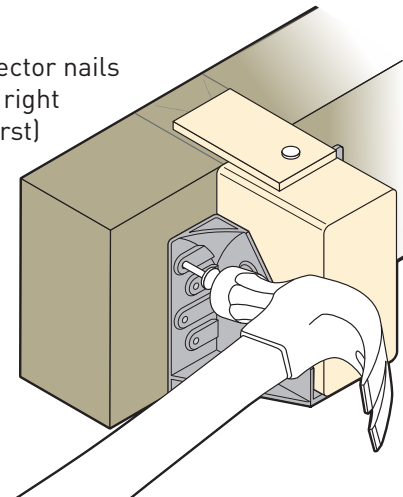
Step 2

Set up a small "Jig"



Step 3

Attach connector nails (top left and right hand nails first)



Step 4

Insert Joists in **FREP** Joist Hangers

